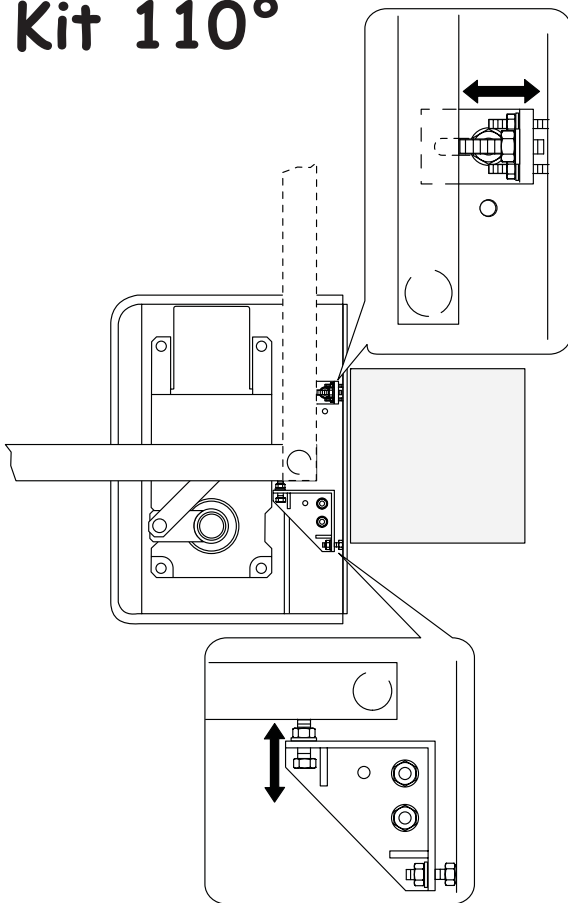


### Kit 110°



### Kit 140°

